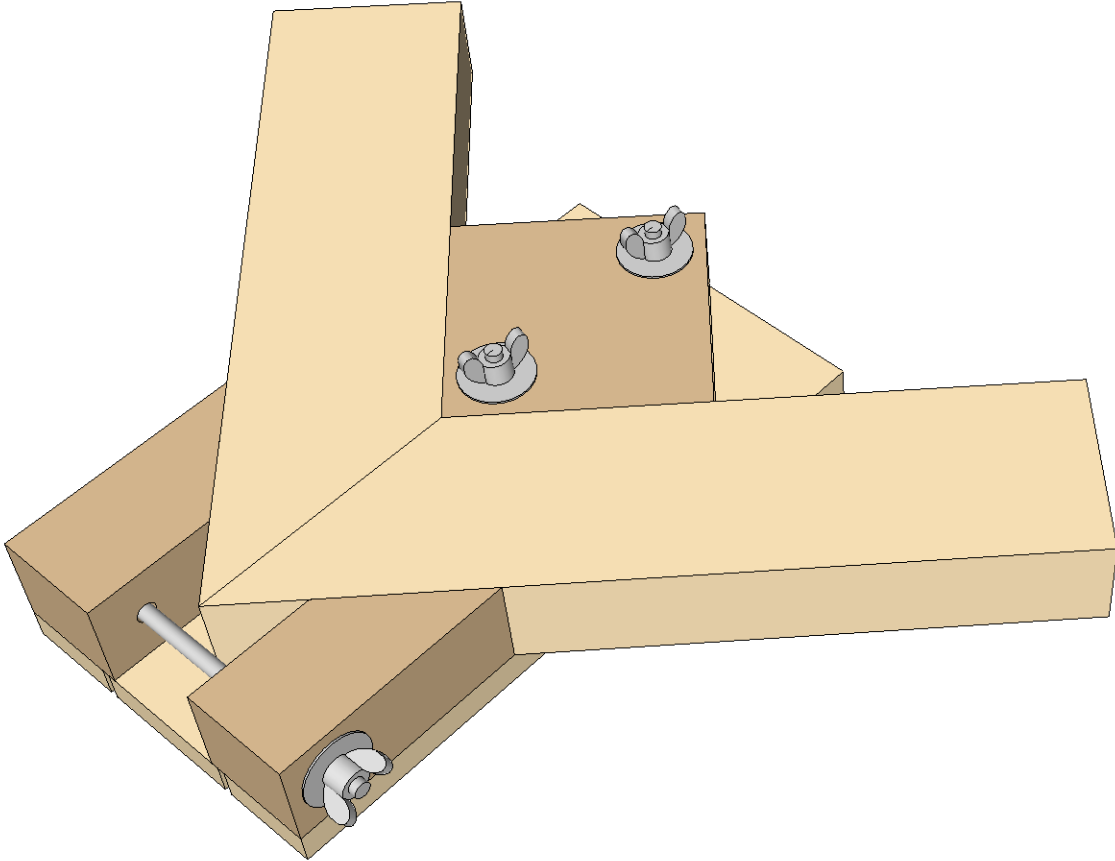
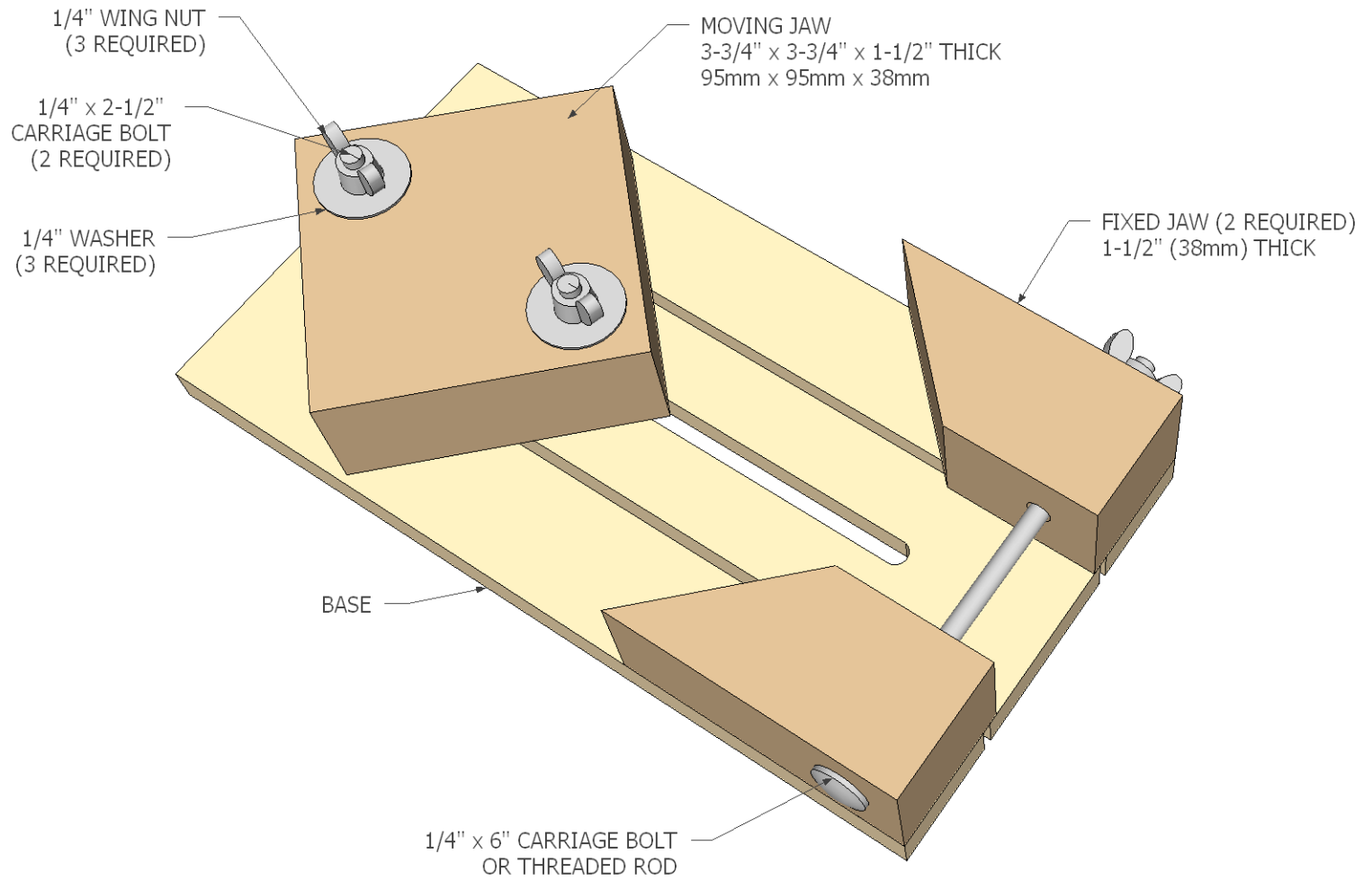


CORNER CLAMP

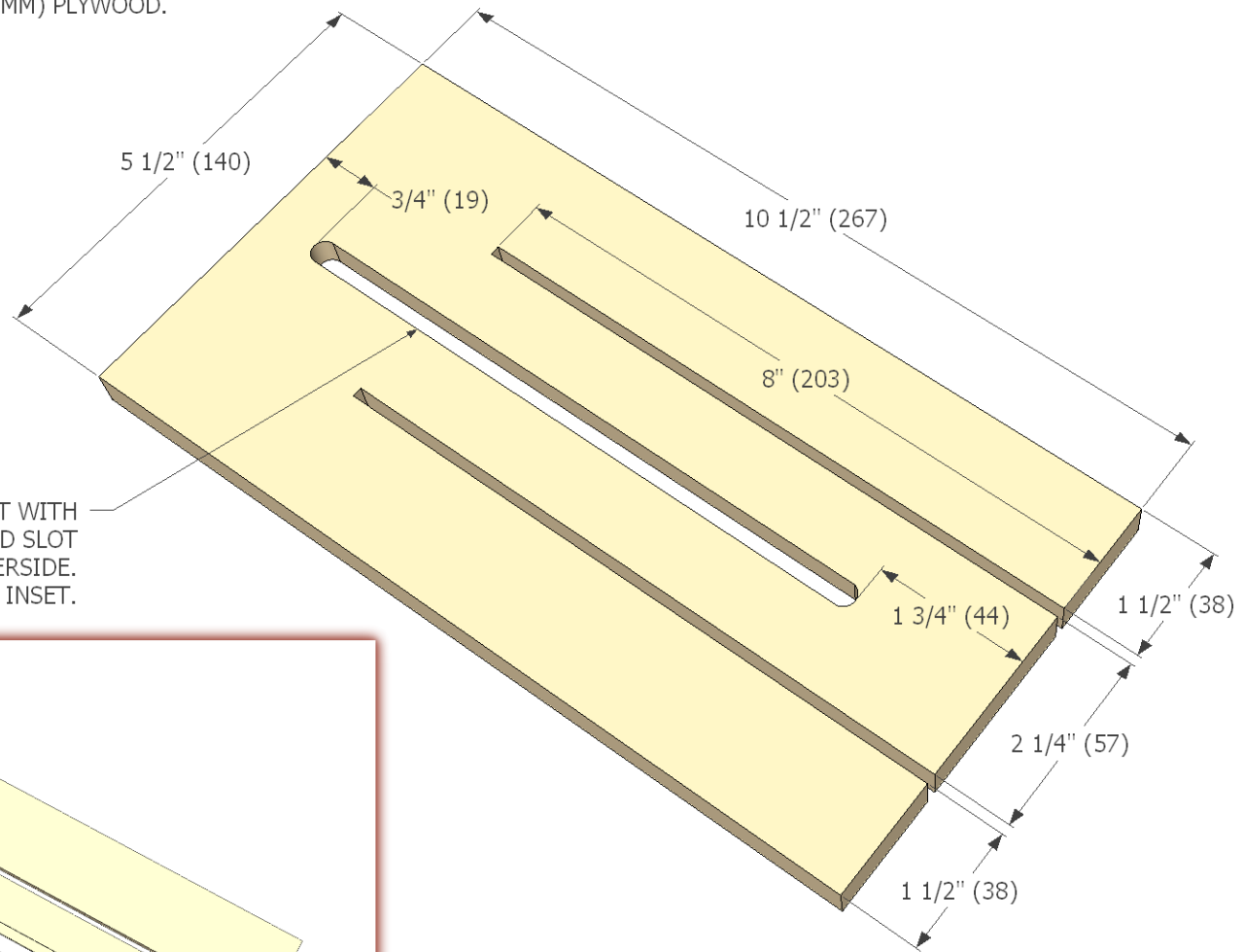


PARTS MAP

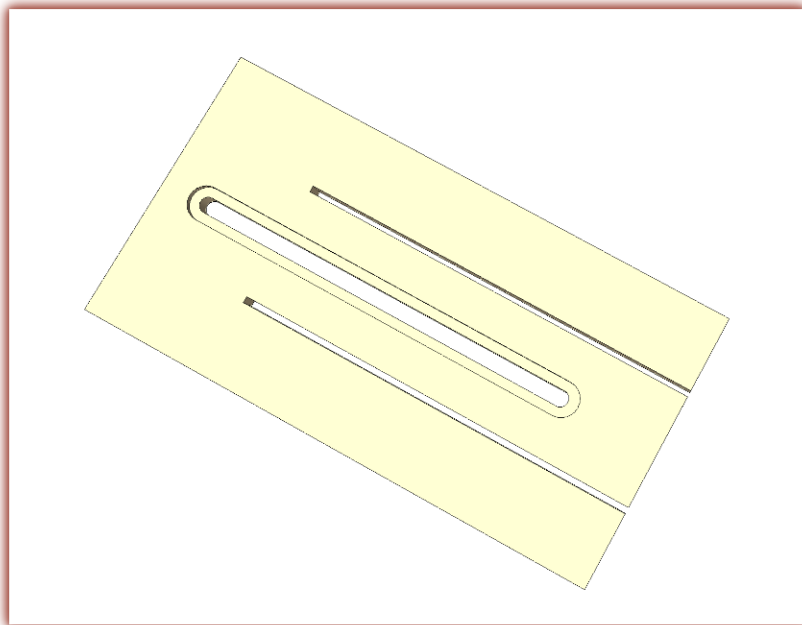


THE BASE

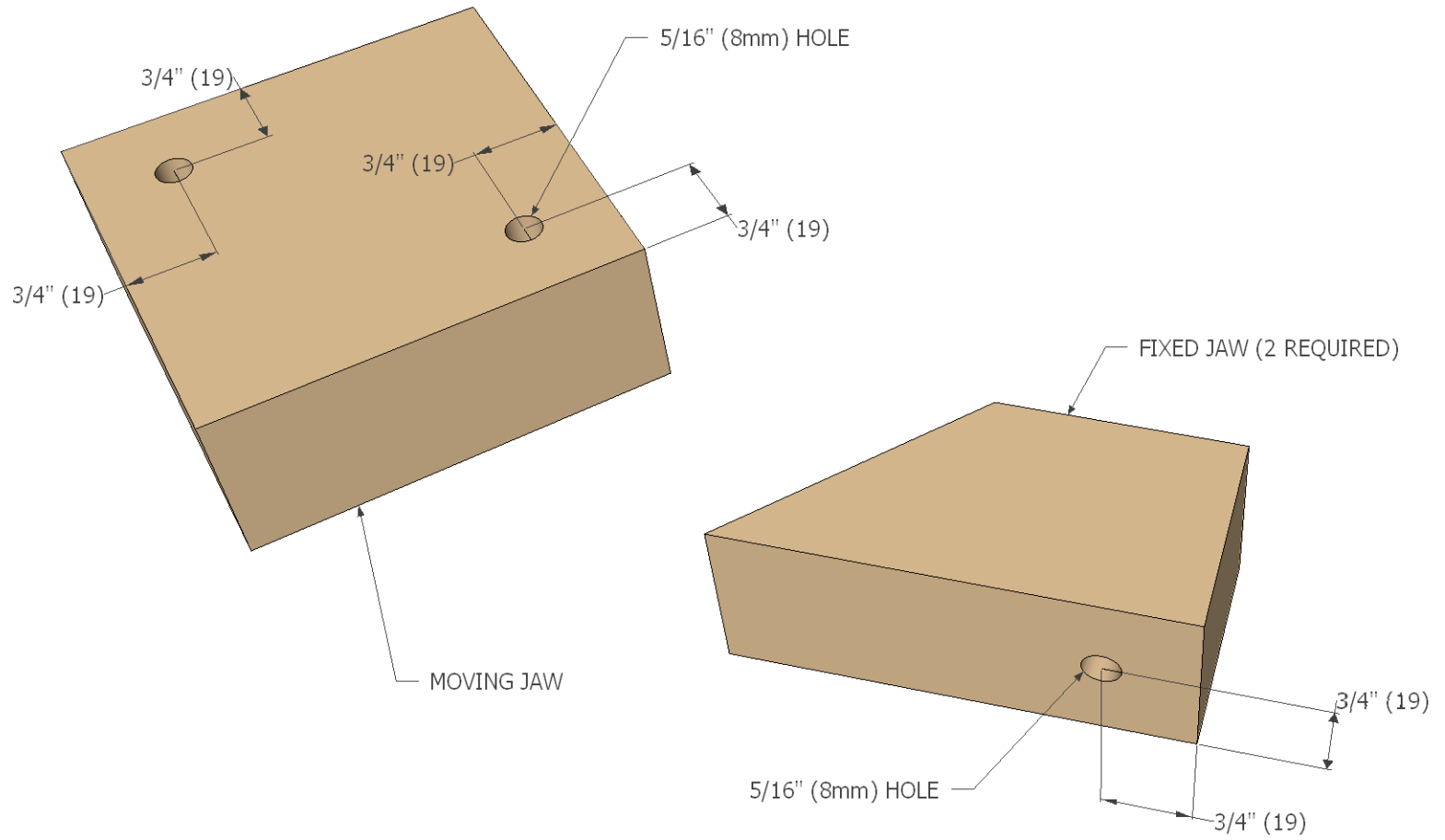
THE BASE IS MADE FROM 1/2" (13MM) PLYWOOD.



5/16" (8mm) SLOT WITH
3/4" (19mm) COUNTERBORED SLOT
ON THE UNDERSIDE.
SEE INSET.



FIXED AND MOVING JAWS



ASSEMBLY

GLUE AND CLAMP THE FIXED JAW PARTS TO THE BASE AS SHOWN. INSTALL THE MOVING JAW AS SHOWN WITH BOLTS, WING NUTS AND WASHERS. THE CLAMP IS NOW READY TO USE.

