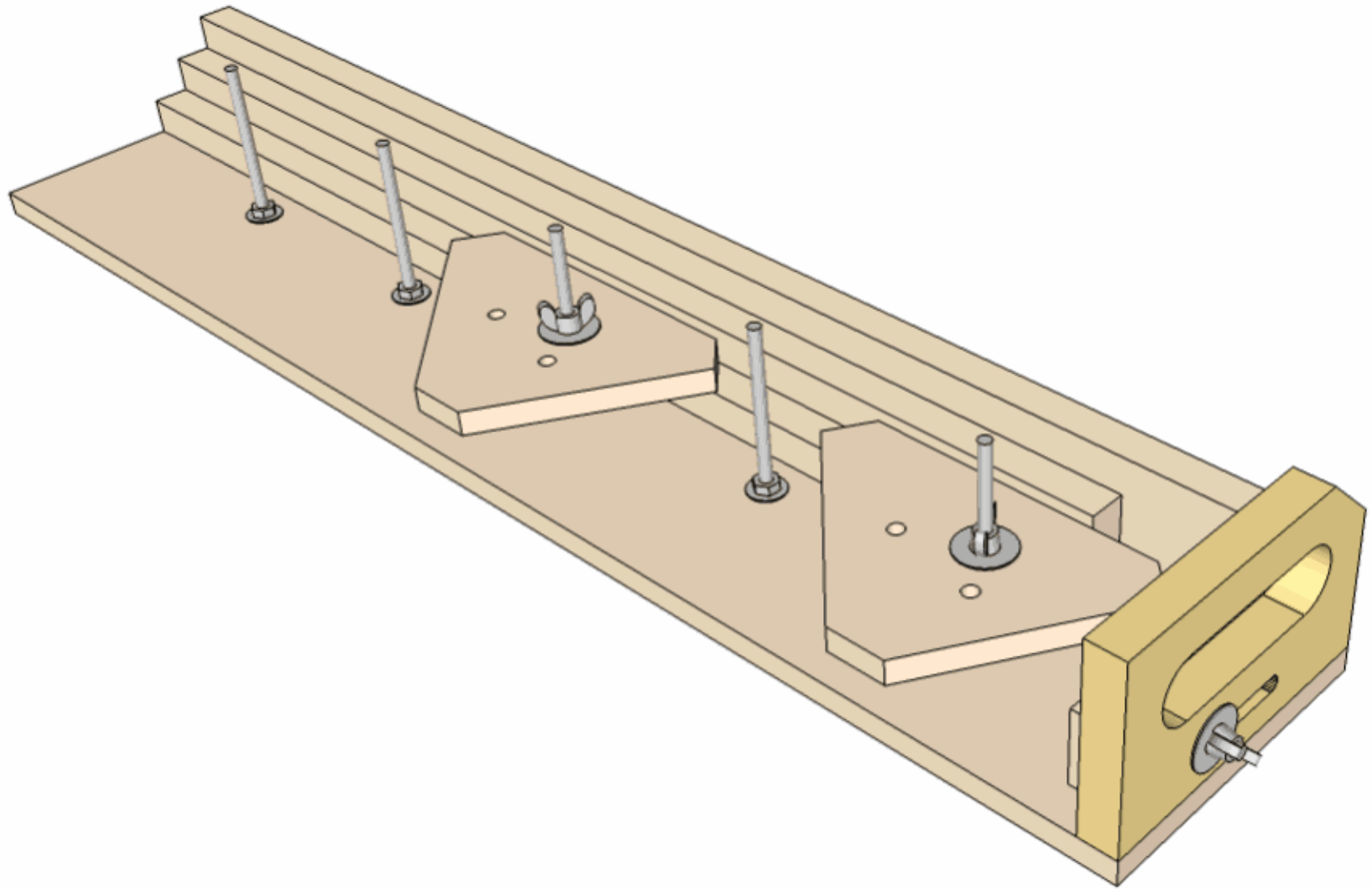
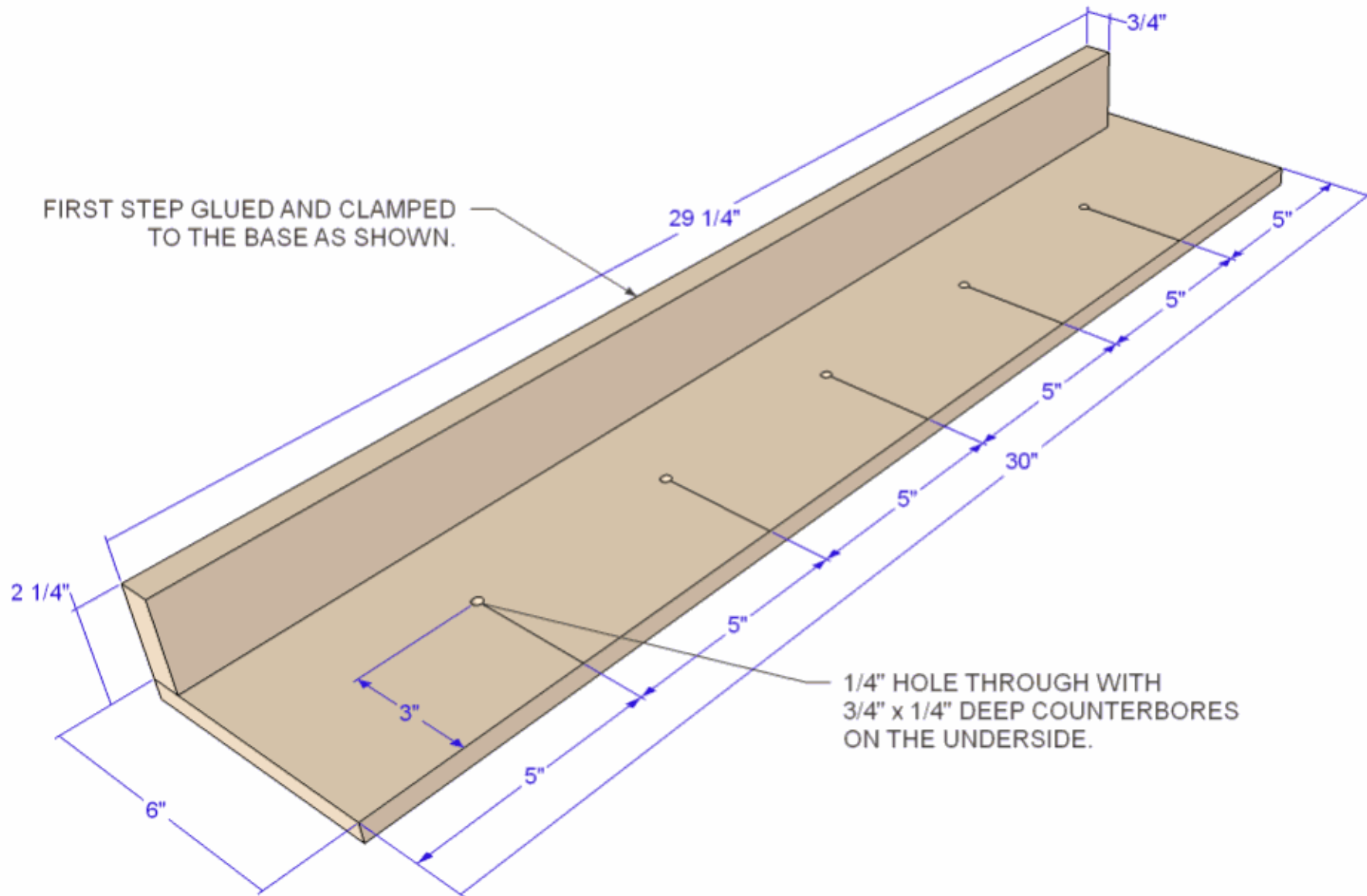


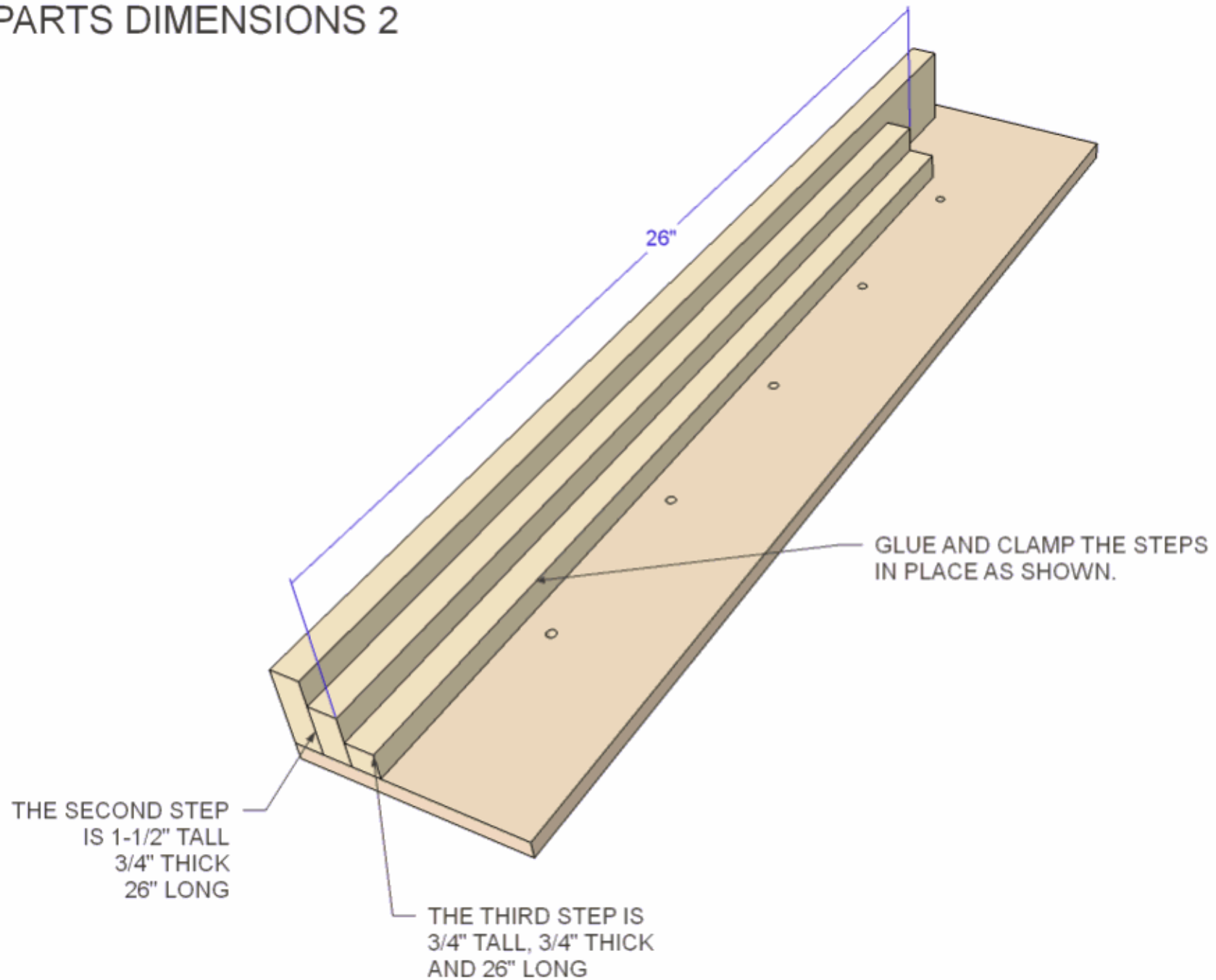
# TAPERING JIG FOR THE TABLE SAW



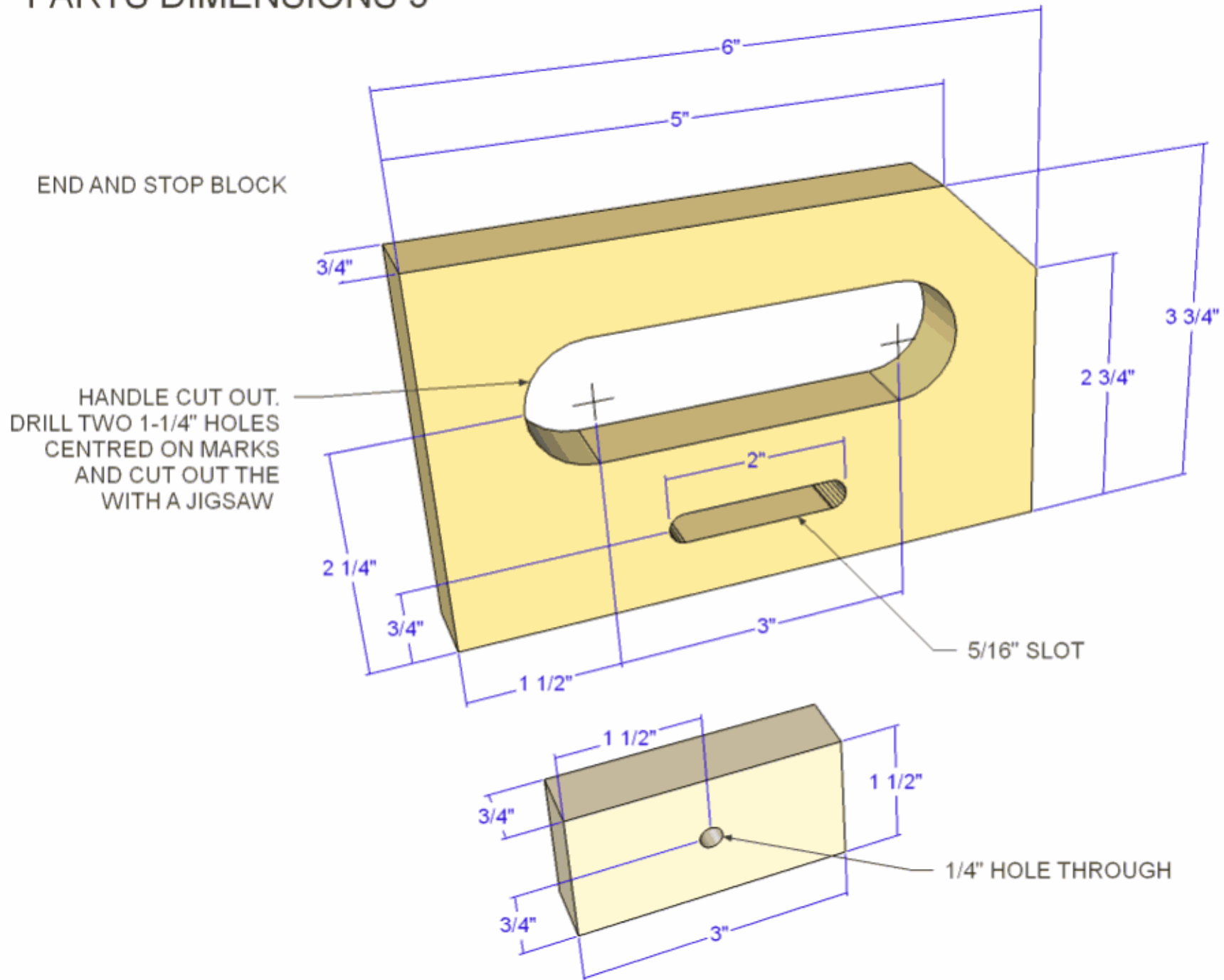
# PARTS DIMENSIONS 1



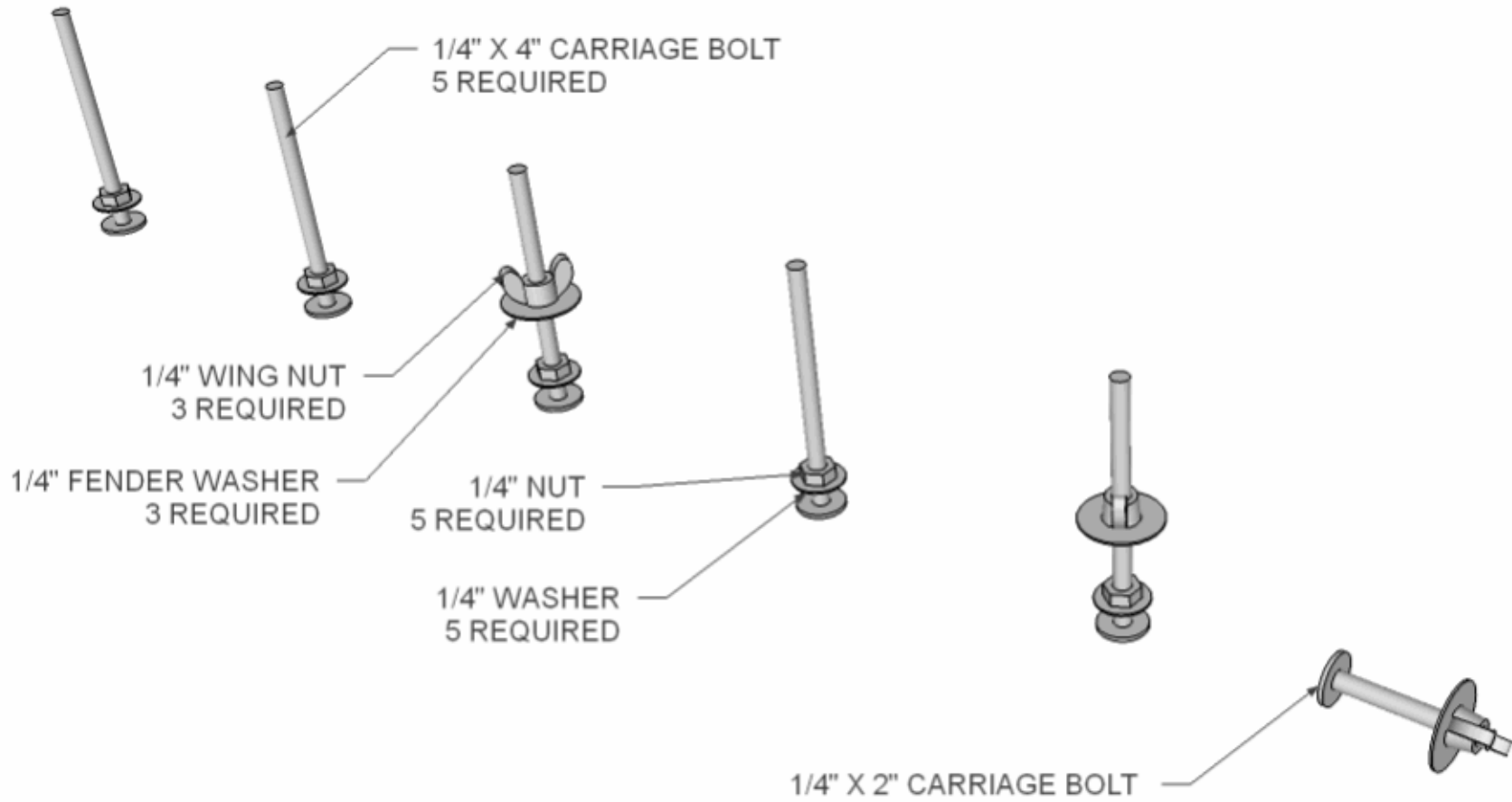
## PARTS DIMENSIONS 2



# PARTS DIMENSIONS 3



# HARDWARE



HOLD DOWN BLOCK TEMPLATE

