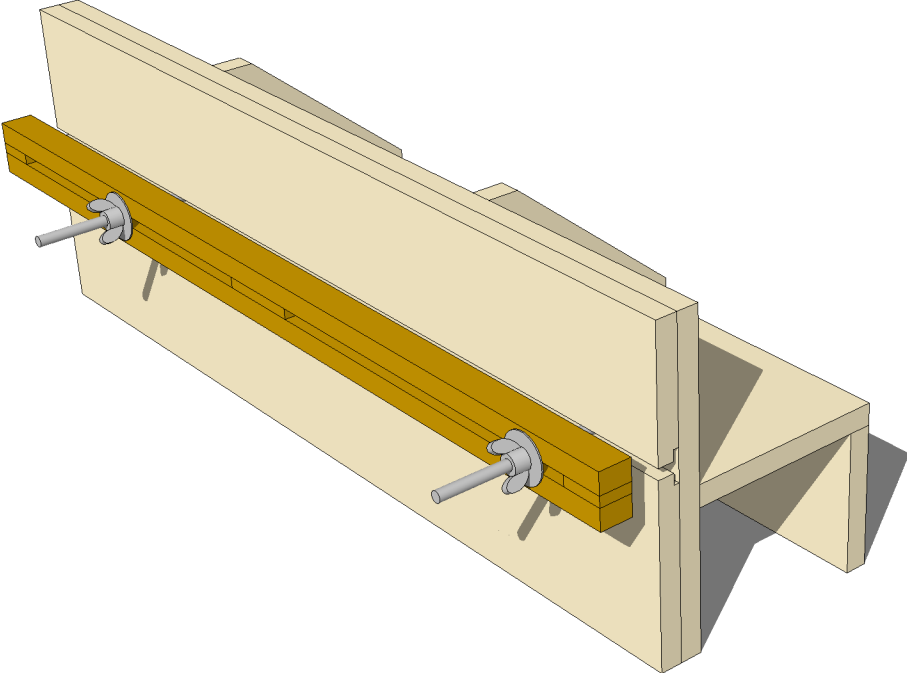
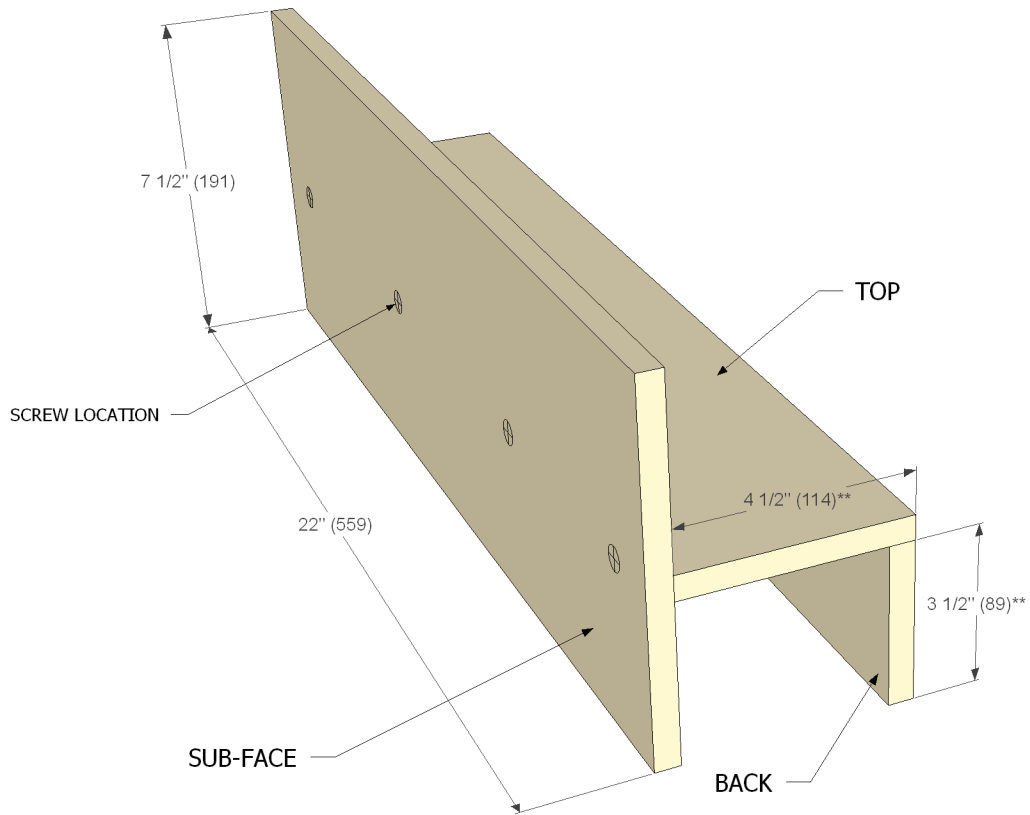


TENON JIG

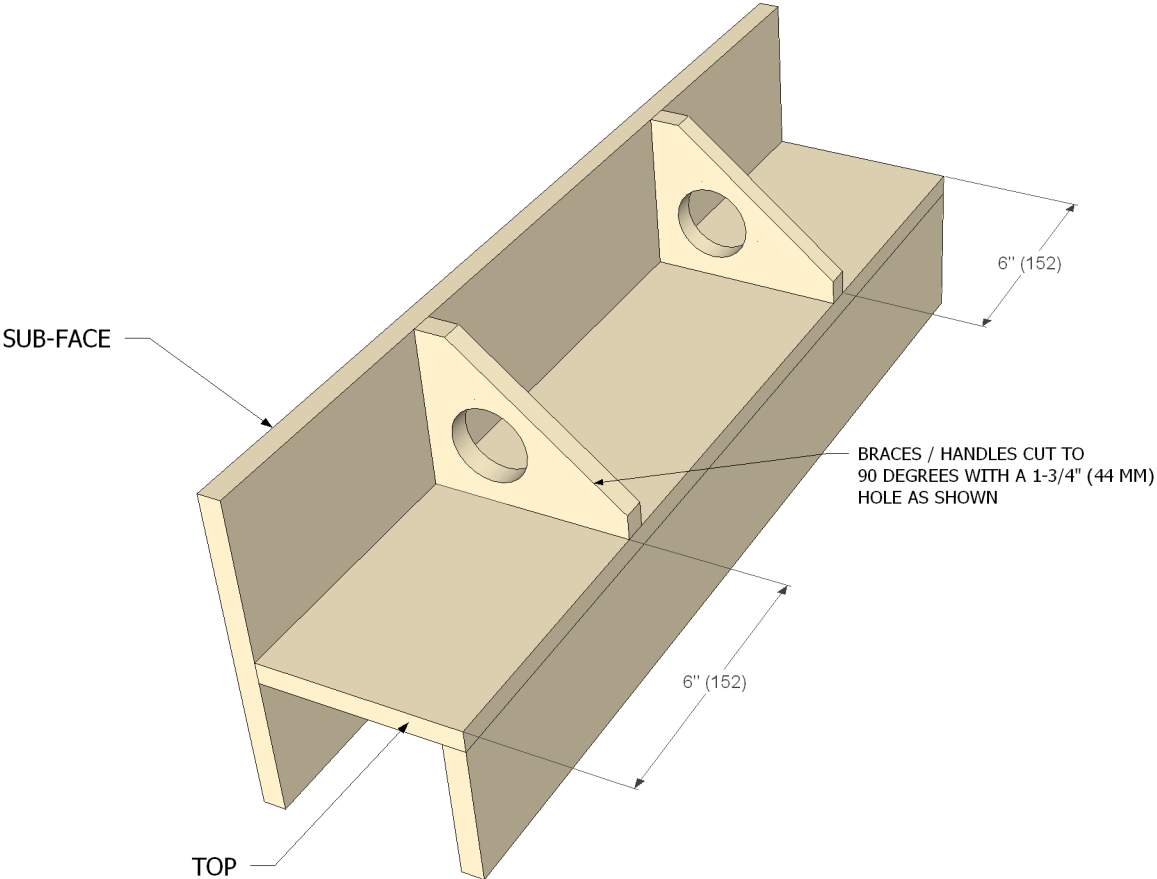


FASTEN THE SUB-FACE TO THE TOP AND THE TOP TO THE BACK WITH 4 - #8 X 1-1/2" FLAT HEAD WOOD SCREWS IN EACH JOINT - NO GLUE.

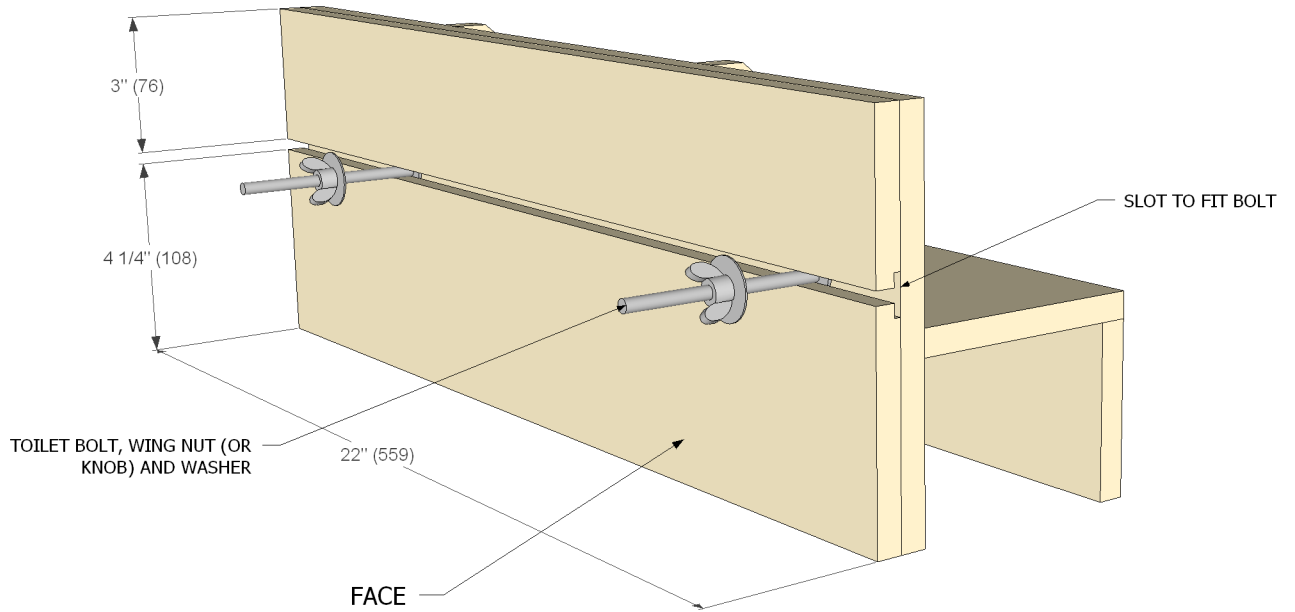


** SIZED TO FIT YOUR TABLE SAW FENCE

FASTEN THE BRACES WITH 2 - #8 X 1-1/2" FLAT HEAD WOOD SCREWS IN EACH. ENSURE THE SUB-FACE IS SQUARE TO THE TOP



AFTER ALL ADJUSTMENTS ARE MADE, FASTEN THE FACE PARTS TO THE SUB-FACE WITH GLUE ONLY



GLUE THE CLAMP BAR PARTS TOGETHER AS SHOWN AND LET DRY. USE A STRONG HARDWOOD TO MAKE THESE PARTS

