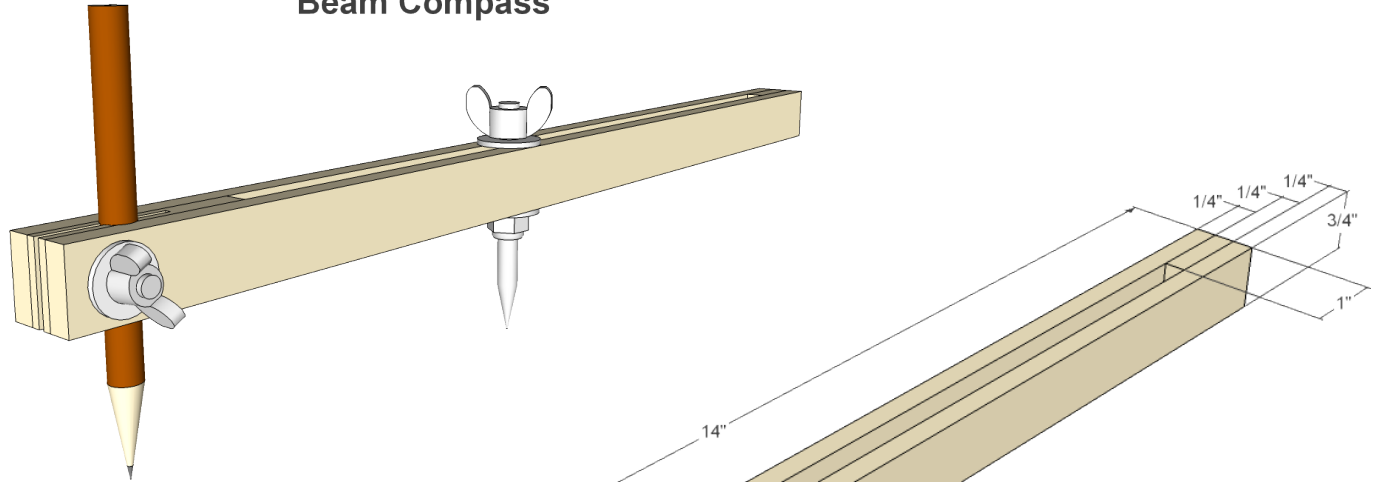


Beam Compass



THIN BLADE KERF CUT

5/16" HOLE

3/4"

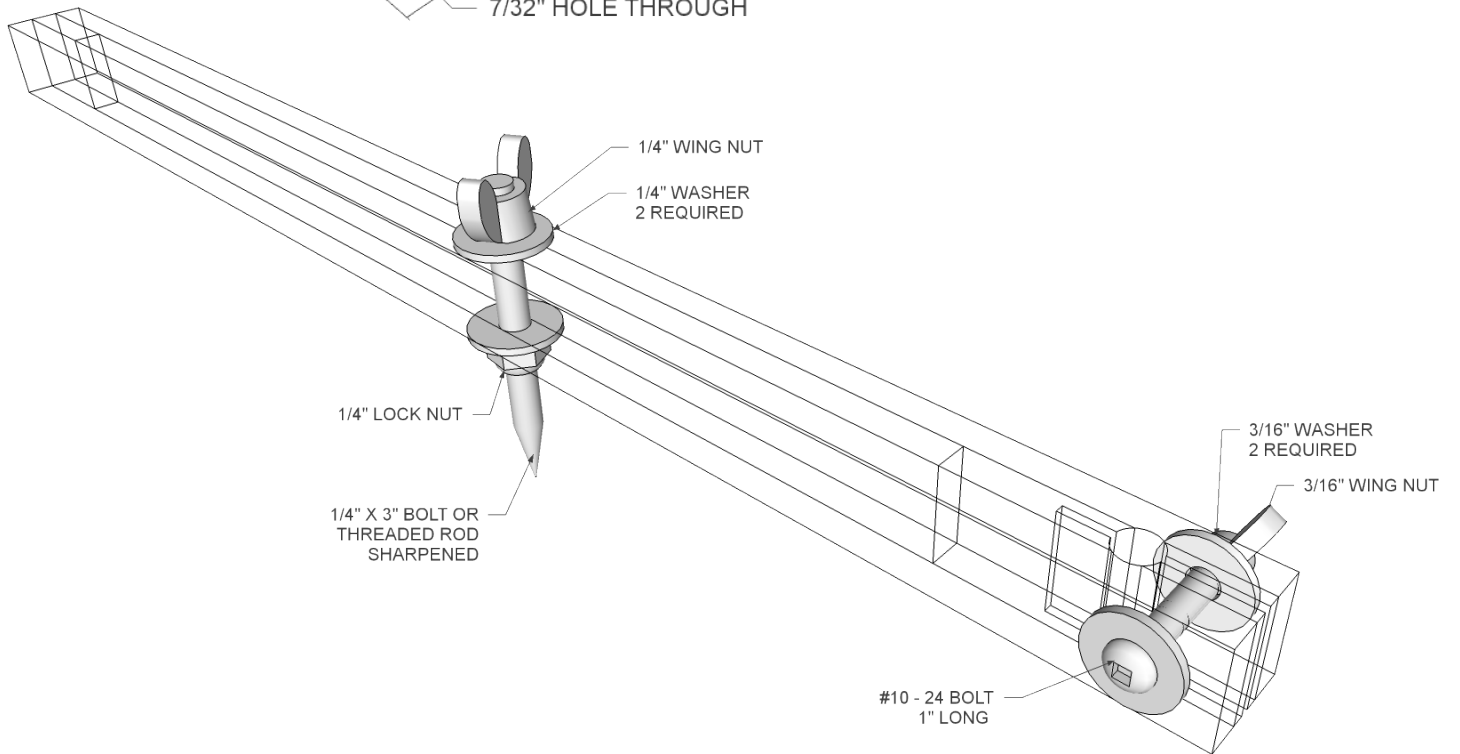
3/8"

1 1/4"

7/32" HOLE THROUGH

DIMENSIONS

HARDWARE



1/4" WING NUT

1/4" WASHER
2 REQUIRED

1/4" LOCK NUT

1/4" X 3" BOLT OR
THREADED ROD
SHARPENED

3/16" WASHER
2 REQUIRED

3/16" WING NUT

#10 - 24 BOLT
1" LONG